

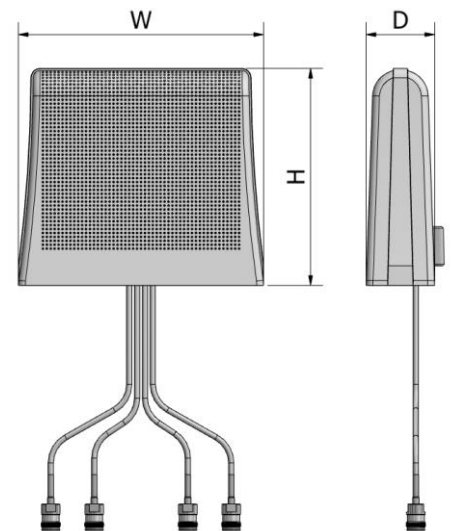
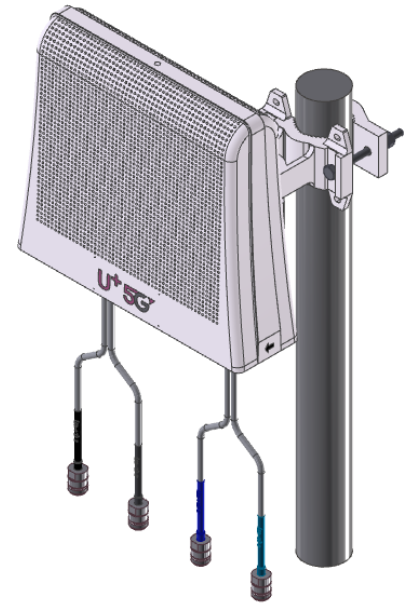
3.5GHz Patch Antenna

3350~3900 MHz / 13dBi

P-0T04XT-0013-KLO

i. Electrical Specification

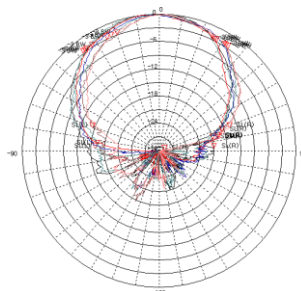
Frequency Range (MHz)	3350~3900	
Polarization	± 45°	
Band Width	550 MHz	
Gain	≥ 13 dBi	
Beam width	Horizontal	≥ 40 °
	Vertical	≥ 16 °
F-B ratio	≥ 15 dB	
VSWR	≤ 1.5 : 1	
Impedance	50 Ω	
Isolation	≥ 18 dB	
PIMD(2 x 43 dBm)	≤ -140 dBc	
Maximum input power	100 W	



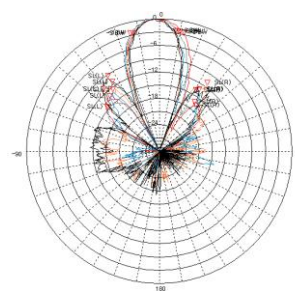
ii. Mechanical Specification

Radom Dimension (HxWxD)	250 x 250 x 75 mm	
Weight (Include bracket)	≤ 4 Kg	
Connector Type (Length)	Mini Din-Female × 4 (300 mm)	
Radome Color	White or Cool Gray	
Radome Material	ASA or ABS or Anti-UV-PVC	

iii. Radiation Pattern



Horizontal Pattern



Vertical Pattern